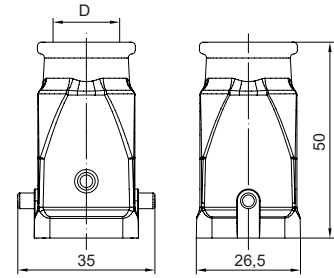




## 403250 HOOD WITH MALE INSERT

Number of Contacts	2P+E
Ampere	10
Protection Degree	IP65
Voltage	220 - 240 V
Terminal	Screw
Box Quantity	50
Material	Aluminum

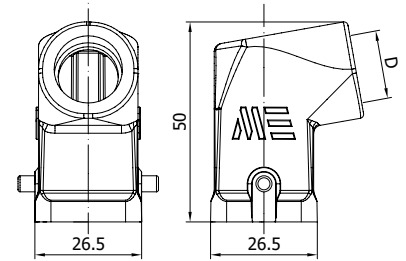


D	Pg 11	Pg 13.5	M 20	NPT 3/8"
---	-------	---------	------	----------



## 403251 HOOD WITH MALE INSERT Angled

Number of Contacts	2P+E
Ampere	10
Protection Degree	IP65
Voltage	220 - 240 V
Terminal	Screw
Box Quantity	50
Material	Aluminum

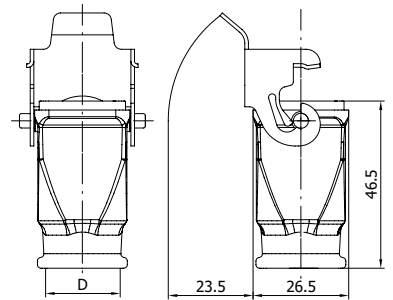


D	Pg 11	Pg 13.5	M 20	NPT 3/8"
---	-------	---------	------	----------



## 403252S HOOD WITH FEMALE INSERT

Number of Contacts	2P+E
Ampere	10
Protection Degree	IP65
Voltage	220 - 240 V
Terminal	Screw
Box Quantity	50
Material	Aluminum



D	Pg 11	Pg 13.5	M 20	NPT 3/8"
---	-------	---------	------	----------



## 403253S HOUSING WITH FEMALE INSERT

Number of Contacts	2P+E
Ampere	10
Protection Degree	IP65
Voltage	220 - 240 V
Terminal	Screw
Box Quantity	50
Material	Aluminum

